

Nov. 3, 1942.

R. E. BORLAND

2,300,772

BEEHIVE

Filed April 17, 1941

2 Sheets-Sheet 1

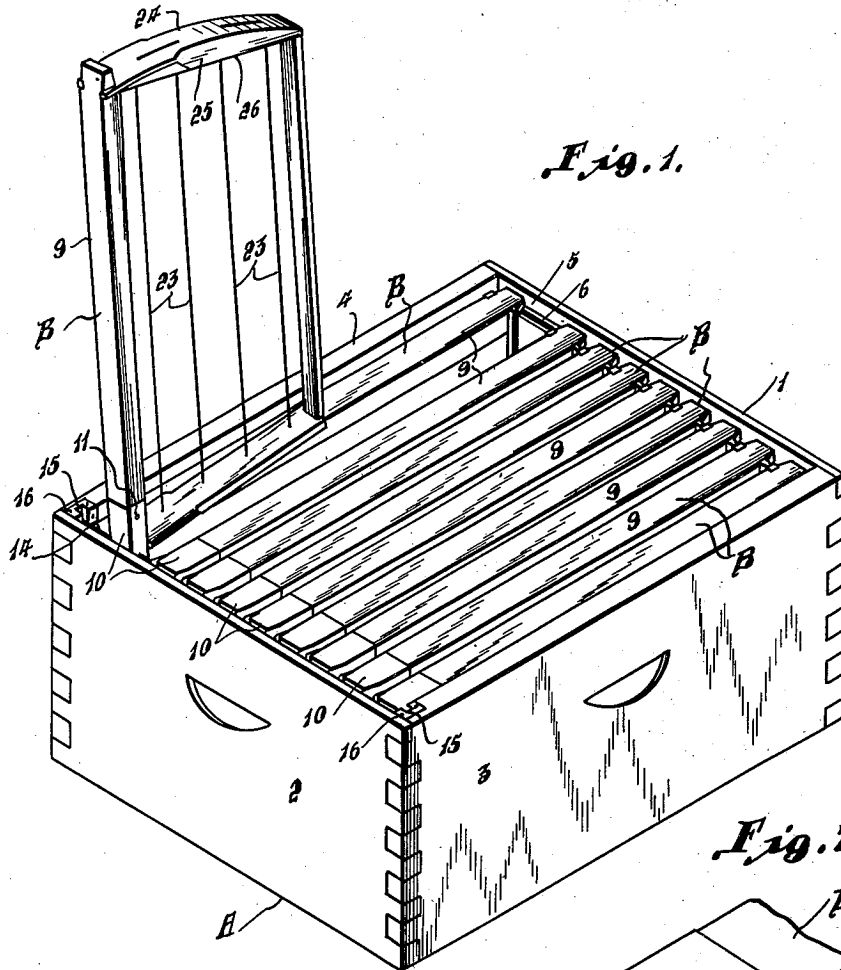


Fig. 1.

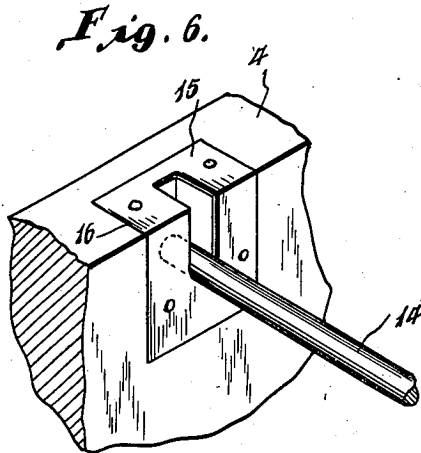


Fig. 6.

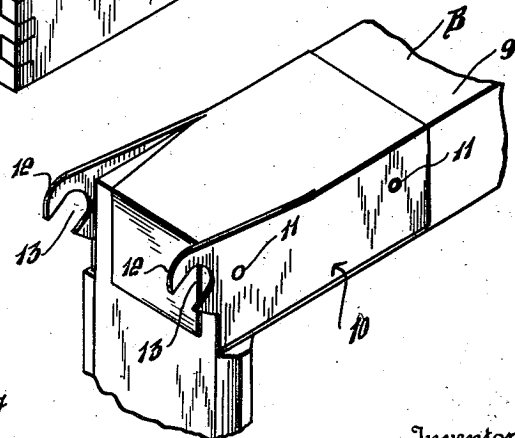


Fig. 7.

Inventor  
**Robert E. Borland**

By *John Latta Duff*  
Attorney

Nov. 3, 1942.

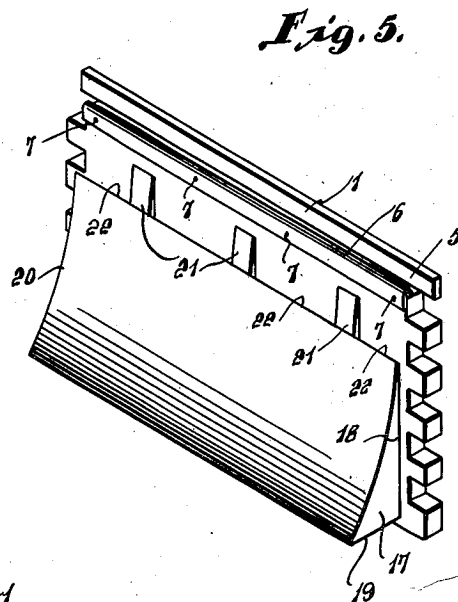
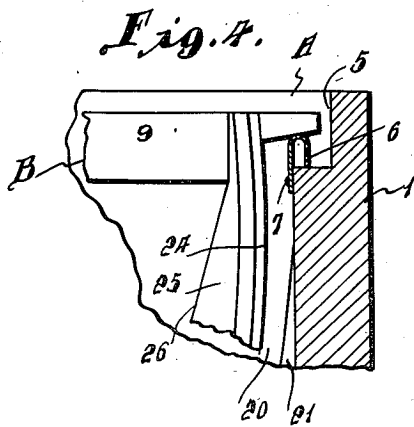
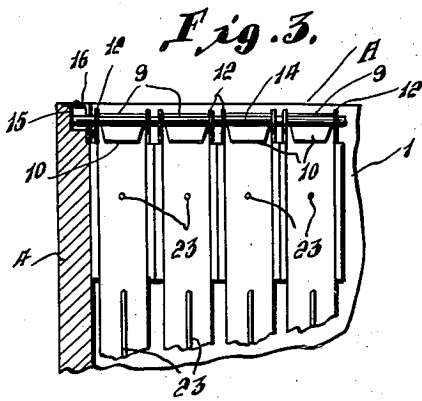
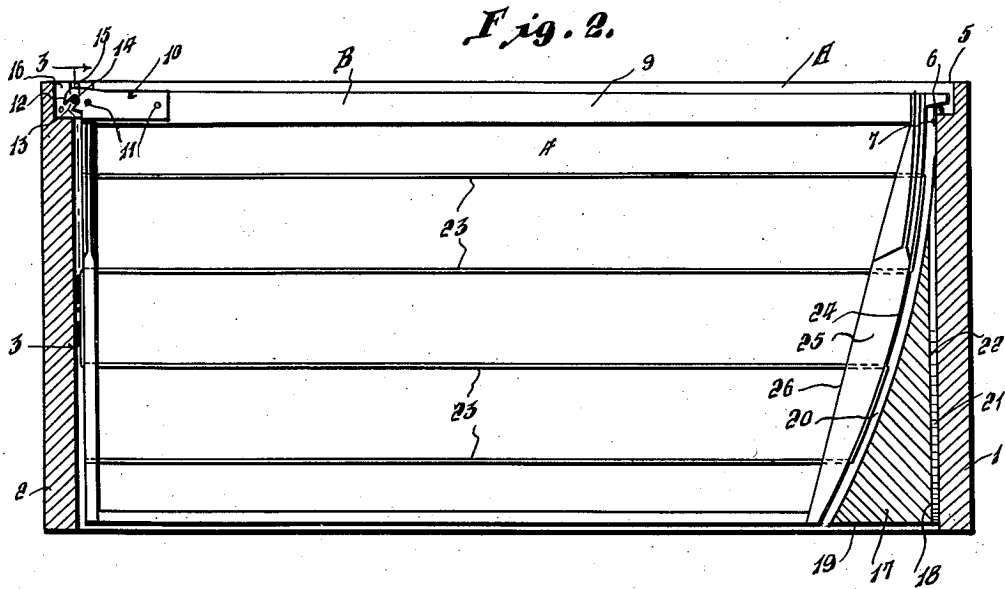
R. E. BORLAND

2,300,772

BEEHIVE

Filed April 17, 1941

2 Sheets-Sheet 2



Inventor

Robert E. Borland

By

John Patten Duff

Attorney

Nov. 3, 1942.

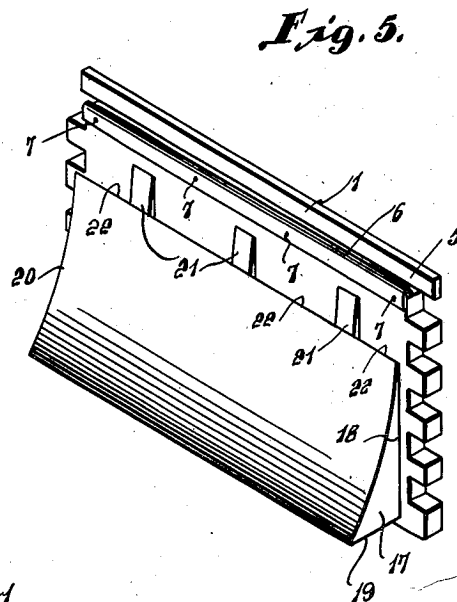
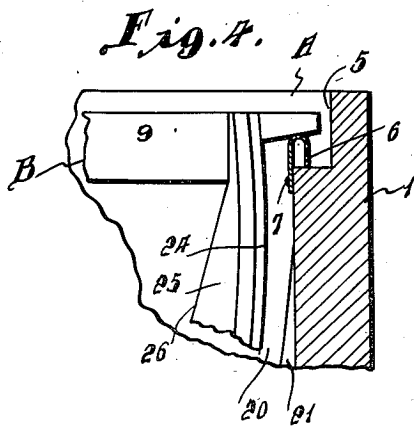
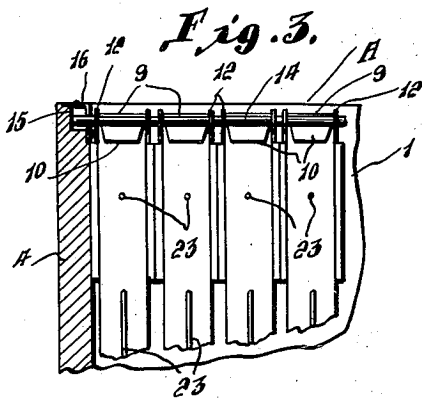
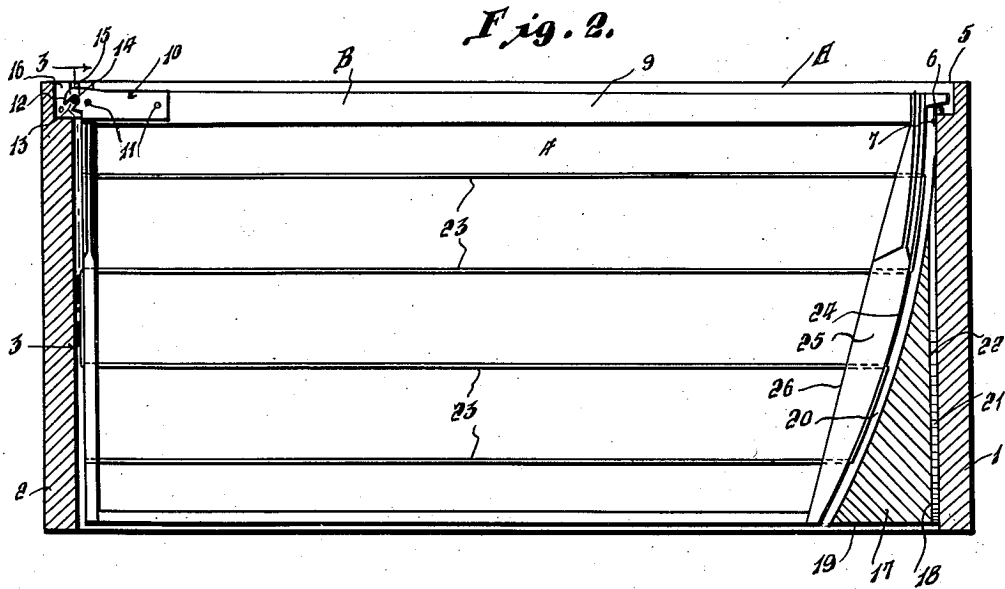
R. E. BORLAND

2,300,772

BEEHIVE

Filed April 17, 1941

2 Sheets-Sheet 2



Inventor

Robert E. Borland

By

John Patten Duff

Attorney

hinged at one end to said rod and adapted to be swung above the hinge rod for examination by raising their free ends, slotted plates fastened to the outer upper corners of the frames and engaging the hinge rod, means to support the free ends of the frames in normal position, a rectangular block with a straight outer face, fas-

tened to the inner end member of the bee hive and narrow strips arranged vertically between the inner face of the inner end member of the bee hive and the outer face of the rectangular block to provide vertical spaces for bee-ways and ventilation

ROBERT E. BORLAND.