

Nov. 9, 1943.

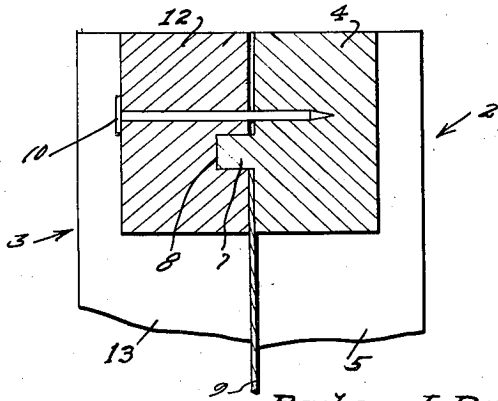
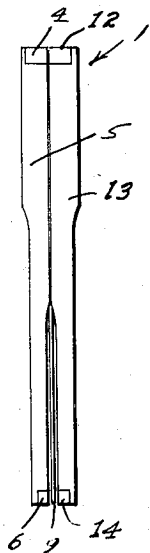
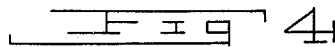
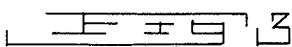
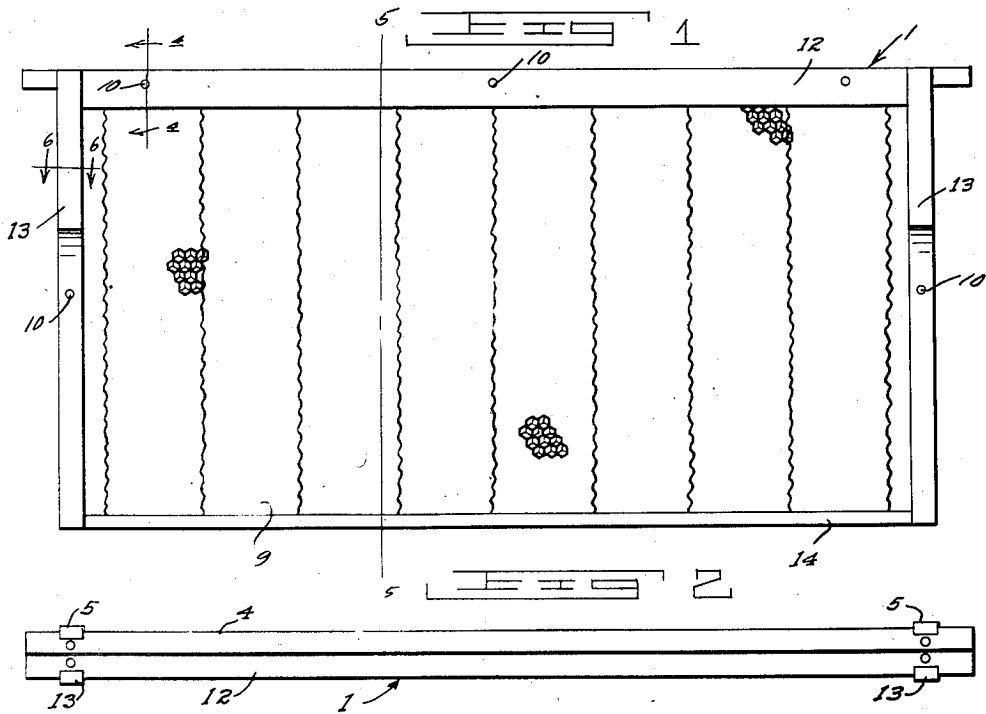
R. J. BREWER ET AL

2,333,840

HONEY FOUNDATION HOLDER

Filed June 26, 1942

2 Sheets-Sheet 1



Inventors

Reuben J. Brewer
John W. Campbell

By

Clarence A. O'Brien
and Harvey B. Jacobson
Attorneys

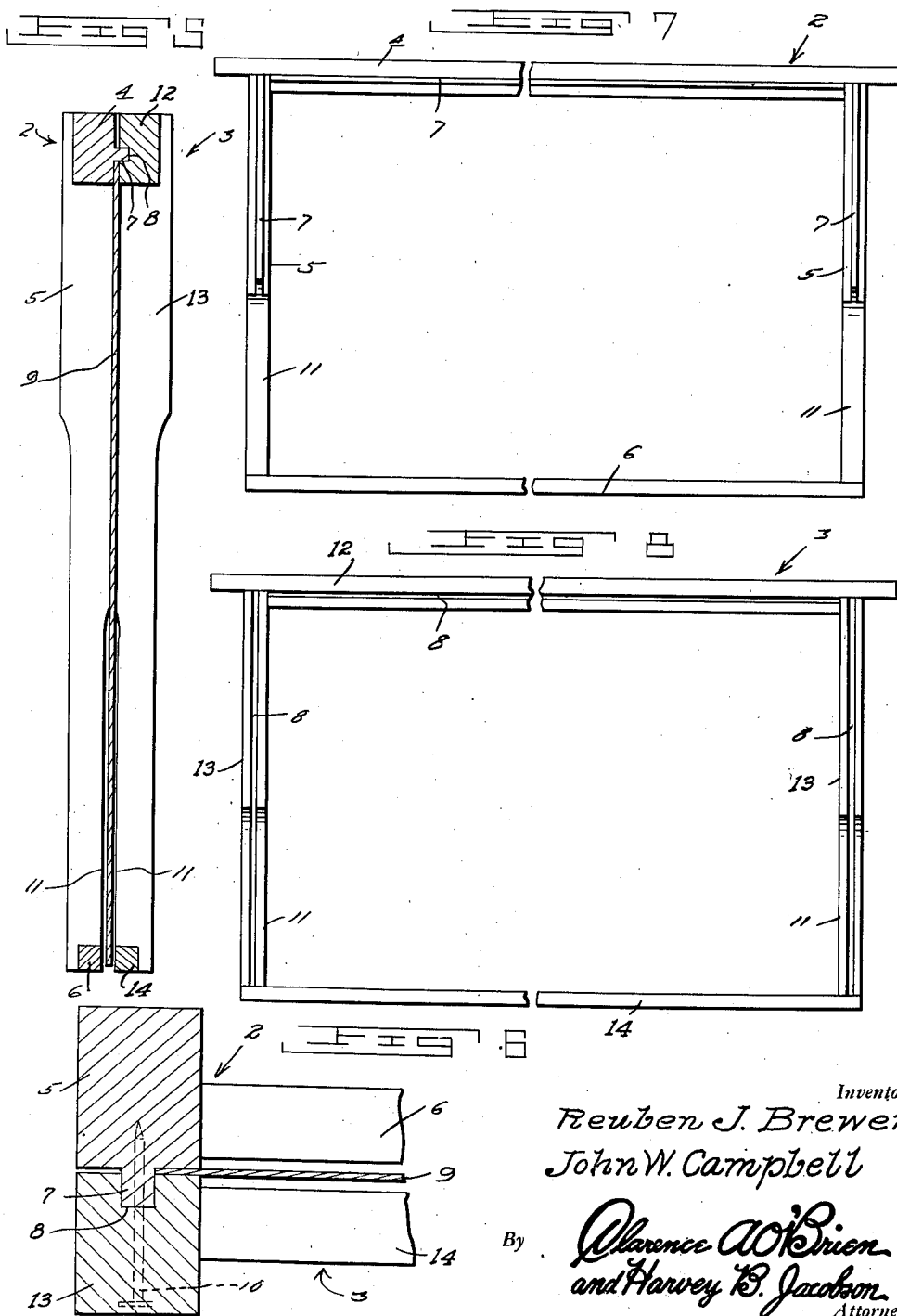
Nov. 9, 1943.

R. J. BREWER ET AL
HONEY FOUNDATION HOLDER

2,333,840

Filed June 26, 1942

2 Sheets—Sheet 2



Inventors
Reuben J. Brewer
John W. Campbell

By Clarence A. O'Brien
and Harvey B. Jacobson
Attorneys

UNITED STATES PATENT OFFICE

2,333,840

HONEY FOUNDATION HOLDER

Reuben J. Brewer, St. Paul, and John W. Campbell, New Brighton, Minn.

Application June 26, 1942, Serial No. 448,638

1 Claim. (Cl. 6—10)

The present invention relates to new and useful improvements in honey foundation holders for beehives, and has for its primary object to provide, in a manner as hereinafter set forth, a device of this character comprising a frame including a pair of complete, complementary separable half sections of a novel construction and arrangement for receiving and firmly clamping therebetween the marginal portions of the wax foundation.

Another very important object of the invention is to provide a foundation holder of the aforementioned character comprising unique means for facilitating the proper positioning or placing of the foundation on one of the frame sections, and then mounting the other section thereon.

Other objects of the invention are to provide a sectional honey foundation holder of the character described which will be comparatively simple in construction, strong, durable, highly efficient and reliable in use, compact, light in weight and which may be manufactured at low cost.

All of the foregoing and still further objects and advantages of the invention will become apparent from a study of the following specification, taken in connection with the accompanying drawings wherein like characters of reference designate corresponding parts throughout the several views, and wherein:

Figure 1 is a view in side elevation of a holder constructed in accordance with the present invention, showing a wax foundation therein.

Figure 2 is a top plan view thereof.

Figure 3 is an end elevational view.

Figure 4 is a cross-sectional view on an enlarged scale through the upper portion of the device, taken substantially on the line 4—4 of Figure 1.

Figure 5 is a cross-sectional view through the complete device, taken substantially on the line 5—5 of Figure 1.

Figure 6 is a detail view in horizontal section, taken substantially on the line 6—6 of Figure 1.

Figure 7 is an elevational view of one of the frame sections, looking at the inner side thereof.

Figure 8 is an elevational view of the other frame section, looking at the inner side thereof.

Referring to the drawings in detail, it will be seen that the embodiment of the invention which has been illustrated comprises a frame which is designated generally by reference numeral 1, which frame may be of any suitable dimensions and material. The frame 1 includes a pair of

opposed, complementary separable sections 2 and 3.

The section 2 of the frame 1 comprises a top bar 4, end bars 5 depending from said top bar, and a bottom bar 6 extending between the lower end portions of said end bars. Tongues 7 are provided on the upper portions of the inner faces of the end bars 5 and the top bar 6 of the frame section 2.

The frame section 3 includes a top bar 12, end bars 13 depending from said top bar, and a bottom bar 14 extending between the lower ends of said end bars. The end bars 13 and the top bar 12 have grooves or channels 8 therein extending the length thereof. The grooves or channels 8 are for the reception of the tongues 7.

It will be observed that the top bars 4 and 12 project beyond the end bars 5 and 13 of the sections 2 and 3, respectively, for suspending the frame 1 in the hive in the usual manner. A conventional wax foundation between the frame sections 2 and 3 is indicated at 9.

It is thought that the manner in which the device functions will be readily apparent from a consideration of the foregoing. Briefly, the section 2 is mounted on a suitable support with the tongues 7 uppermost, and the foundation 9 is placed thereon within the confines of said tongues. It will thus be seen that the tongues 7 constitute guides which facilitate the proper positioning of the foundation on the frame section 2. The frame section 3 is then positioned over the section 2 and the foundation 9 with the grooves or channels 8 lowermost. The section 3 is then forced downwardly for causing the tongues 7 to enter the grooves or channels 8. Thus, the foundation 9 is firmly clamped between the frame sections 2 and 3. Suitable nails 10 are then utilized for securing the frame sections 2 and 3 together. However, the nails 10 are of a size to permit the frame sections 2 and 3 to be readily separated if desired. As best seen in Figures 3 and 5 of the drawings, the opposed lower portions of the frame sections 2 and 3 are cut away or recessed, as at 11, to permit the lower portion of the wax foundation 9 to hang loosely therebetween.

It is believed that the many advantages of a honey foundation holder constructed in accordance with the present invention will be readily understood, and although a preferred embodiment of the device is as illustrated and described, it is to be understood that changes in the details of construction and in the combination and arrangement of parts may be resorted to which will

fall within the scope of the invention as claimed.
What is claimed is:

A honey foundation holder comprising a frame including a pair of opposed, complementary sections for the reception of a foundation therebetween, each of said sections including a top bar, end bars depending from said top bar and a bottom bar extending between said end bars, tongues on the inner faces of the top bar and the upper portions of the end bars of one of the sections, the opposed, corresponding portions of the other section having grooves therein for the

reception of the tongues, said tongues being spaced from the inner edge of said one section for accommodating the foundation thereon within the confines of said tongues, and means detachably securing the sections together with the foundation therebetween, the lower, opposed portions of the sections being cut away for causing the lower portion of the foundation to hang freely therebetween.

REUBEN J. BREWER.
JOHN W. CAMPBELL.

5

10